



#### QUICK SELECTION / Selezione veloce

input speed ( $n_1$ ) = 1400 min<sup>-1</sup>

Output Speed $n_2$ [min <sup>-1</sup> ]	Ratio $i$	Motor power $P_{1M}$ [kW]	Output torque $M_{2M}$ [Nm]	Service factor f.s.	Nominal power $P_{1R}$ [kW]	Nominal torque $M_{2R}$ [Nm]	Available B5 motor flanges				Available B14 motor flanges			Dynamic efficiency <b>RD</b>	Tooth Module  [mm]	 Ratios code	
							B	C	D	E	Q	R	T				
							63	71	80	90	71	80	90				
200	<b>7</b>	1.8	71	1.8	<b>3.2</b>	<b>125</b>		<b>B</b>	<b>B</b>			<b>B-C</b>	<b>B-C</b>		83	3.1	01
140	<b>10</b>	1.8	99	1.4	<b>2.4</b>	<b>134</b>		<b>B</b>	<b>B</b>			<b>B-C</b>	<b>B-C</b>		81	3.1	02
93	<b>15</b>	1.5	121	1.1	<b>1.7</b>	<b>138</b>		<b>B</b>	<b>B</b>			<b>B-C</b>	<b>B-C</b>		79	3.1	03
74	<b>19</b>	1.1	111	1.2	<b>1.4</b>	<b>138</b>		<b>B</b>	<b>B</b>			<b>B-C</b>	<b>B-C</b>		78	2.6	04
58	<b>24</b>	1.1	135	1.0	<b>1.2</b>	<b>142</b>		<b>B</b>	<b>B</b>			<b>B-C</b>	<b>B-C</b>		75	2.0	05
47	<b>30</b>	1.1	167	0.9	<b>0.96</b>	<b>146</b>		<b>B</b>	<b>B</b>			<b>B-C</b>	<b>B-C</b>		74	3.2	06
39	<b>36</b>	0.75	125	1.2	<b>0.88</b>	<b>147</b>		<b>B</b>	<b>B</b>	<b>B</b>		<b>B-C</b>	<b>B-C</b>		68	2.7	07
31	<b>45</b>	0.55	111	1.2	<b>0.67</b>	<b>135</b>	<b>B</b>	<b>B</b>				<b>B-C</b>	<b>C</b>		66	2.1	08
21	<b>67</b>	0.55	151	0.8	<b>0.45</b>	<b>124</b>	<b>B</b>	<b>B</b>				<b>B-C</b>	<b>C</b>		60	1.5	09
17.5	<b>80</b>	0.37	115	1.0	<b>0.38</b>	<b>119</b>	<b>B</b>	<b>B</b>				<b>B-C</b>	<b>C</b>		57	1.3	10
14.9	<b>94</b>	0.37	123	1.0	<b>0.36</b>	<b>119</b>	<b>B</b>	<b>B</b>				<b>B-C</b>	<b>C</b>		52	1.1	11

**Motor Flanges Available**  
Flange Motore Disponibili

**B) Supplied with Reduction Bushing**  
Fornito con Bussola di Riduzione

**B) Available on Request without reduction bushing**  
Disponibile a Richiesta senza Bussola di Riduzione

**C) Motor Flange Holes Position**  
Posizione Fori Flangia Motore

**EN** Unit **063** is supplied with synthetic oil, providing "long life" lubrication. For mounting position V5-V6 please contact us. See table 1 for lubrication and recommended quantity. In table 2 please see possible radial loads and axial loads on the gearbox.

**I** Il riduttore tipo **063** viene fornito lubrificato a vita con olio sintetico. Per posizioni V5-V6 contattare il ns. servizio tecnico. Vedi tab.1 per oli e quantità consigliati. In tab.2 sono presenti i carichi radiali e assiali applicabili al riduttore.

**D** Für die Lebensdauerschmierung ist das Getriebe der Größe **063** mit synthetischem Öl befüllt. Bei Einbaulage V5 oder V6 bitten wir um Rücksprache. In Tabelle 1 ist die Schmiermenge und das empfohlene Schmiermittel angegeben. In Tabelle 2 sind die zulässigen Radial- und Axialbelastungen des Getriebes aufgeführt.

**F** Le réducteur de type **063** est fourni lubrifié à vie avec de l'huile synthétique. Concernant les positions V5.V6, contactez notre service d'assistance technique. Voir tableau 1 concernant les huiles et les quantités conseillées. Les charges radiales et axiales applicables au réducteur sont précisées dans le tableau 2.

**E** El reductor tamaño **063** se suministra, lubricado de por vida con aceite sintético. Para las posiciones V5 y V6 contactar con nuestro servicio técnico. Ver tabla 1, para cantidades y aceites recomendados. En la tabla 2, se encuentran las cargas radiales y axiales admitidas por el reductor.

#### LUBRICATION 063 Oil Quantity 0.40 Lt.

**AGIP** Telium VSF 320

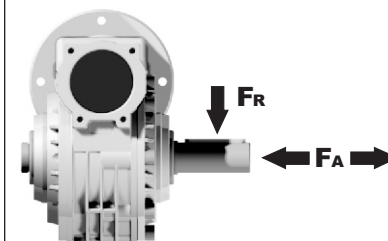
**SHELL** Omala S4 WE 320

For all details on lubrication and plugs check our website **tab. 1**  
Per maggiori dettagli su lubrificazione e tappi olio vedi il nostro sito web

#### RADIAL AND AXIAL LOADS

##### Output shaft

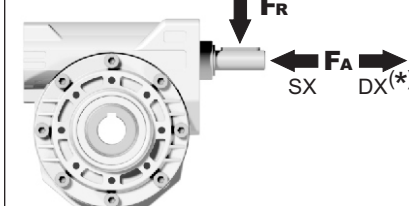
Albero di uscita



$n_2$ [min <sup>-1</sup> ]	FA [N]	FR [N]
<b>200</b>	360	1800
<b>150</b>	400	2000
<b>100</b>	460	2300
<b>75</b>	500	2500
<b>50</b>	600	3000
<b>25</b>	700	3800
<b>15</b>	800	4000

##### Input shaft

albero in entrata



$n_1$ [min <sup>-1</sup> ]	FA [N]	FR [N]
<b>1400</b>	90	450

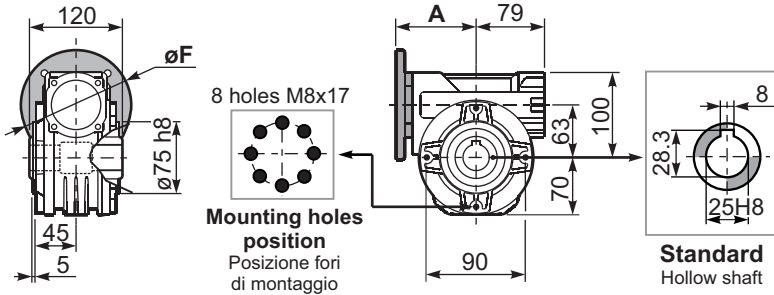
**\*Strong axial loads in the DX direction are not allowed.**  
Non sono consentiti forti carichi assiali con direzione DX

**tab. 2**

**P063FB...** Basic wormbox  
Riduttore base

Gearbox weight  
peso riduttore **6.00 kg**

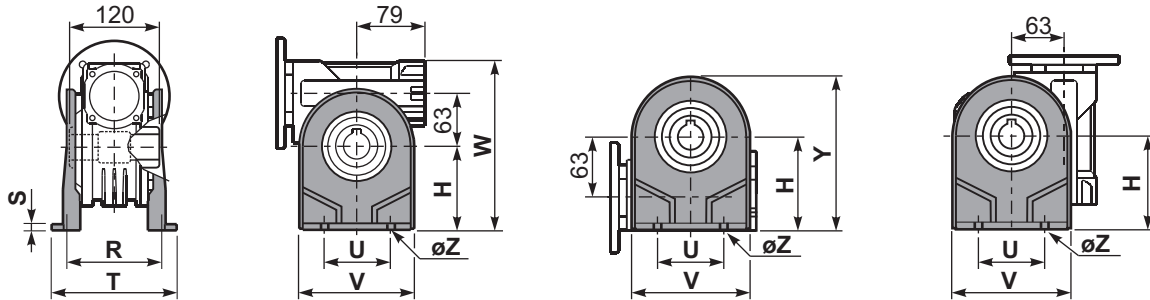
M. flanges	Kit code	øF	A
<b>63B5</b>	K063.4.041	140	99.5
<b>71B5</b>	K063.4.042	160	97.5
<b>80/90B5</b>	K063.4.043	200	99.5
<b>71B14</b>	K063.4.047	105	97.5
<b>80B14</b>	K063.4.046	120	98.5
<b>90B14</b>	K063.4.041	140	99.5



**P063PA...** Feet  
Piedini

**P063PB...** Feet  
Piedini

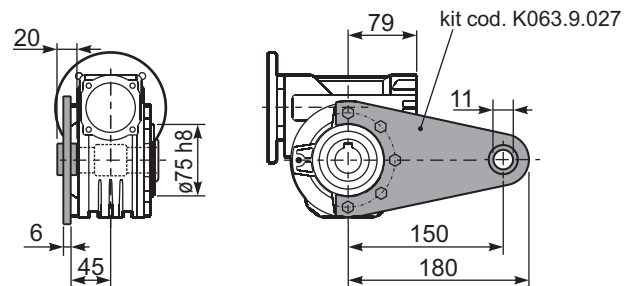
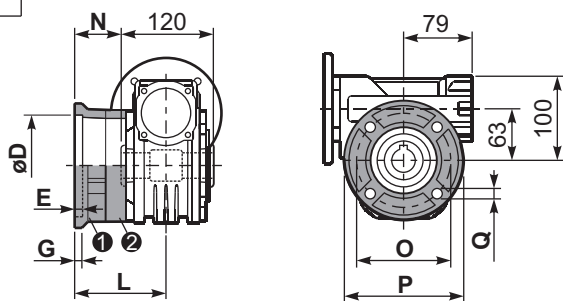
**P063PV...** Feet  
Piedini



	H	R	S	T	U	V	Y	W	øZ	kit code
type B	100	111	4	144	95	133	170	200	ø10.5	K063.9.022
type S	-	-	-	-	-	-	-	-	-	-

**P063FC...** Output flange  
Flangia uscita

**P063BR...** Reaction arm  
Braccio di reazione



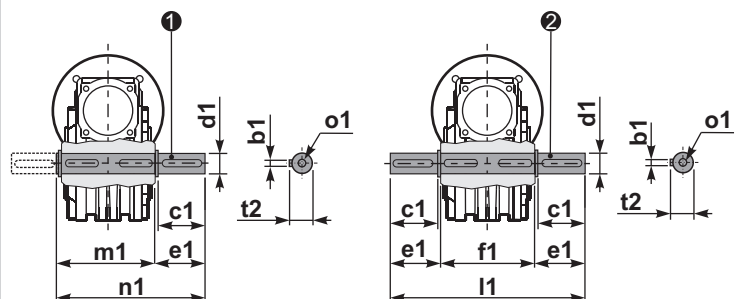
type B	øD	E	G	L	N	O	P	Q	kit code
<b>FC</b>	115 <sup>+0.20</sup> / <sub>+0.15</sub>	7	13	86	26	150	175	11	① K063.9.010 ② -
<b>FL</b>	115 <sup>+0.20</sup> / <sub>+0.15</sub>	7	13	116	56	150	175	11	① K063.9.010 ② K063.0.200

type S	øD	E	G	L	N	O	P	Q	kit code
<b>F1</b>	130 <sup>+0.20</sup> / <sub>+0.15</sub>	7	13	102	42	165	200	13	① KS070.9.013 ② -
<b>F2</b>	115 <sup>+0.20</sup> / <sub>+0.15</sub>	7	13	116	56	150	175	11	① KS063.9.013 ② -
<b>F3</b>	110 <sup>+0.035</sup> / <sub>0</sub>	5	11	82	22	130	160	10	① KS063.9.011 ② -

**P063.....S...** Single Shaft  
Albero lento semplice

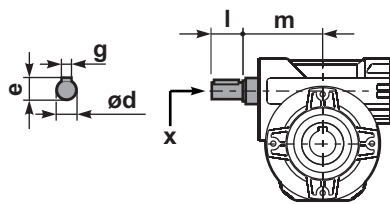
**P063.....D...** Double Shaft  
Albero lento bisp.



① kit cod. K063.5.028 type B

② kit cod. K063.5.029 type B

**R063FB...** Input shaft  
Albero in entrata



	ød	e	g	l	m	x	kit code
type B	18 h6	20.5	6	45	93	M6x16	① K063.5.006 PAM80 ② K063.5.007 PAM90
type S	19 h6	21.5	6	40	93	M8x20	① KS063.5.008 PAM80 ② KS063.5.009 PAM90

	b1	c1	d1	e1	f1	l1	m1	n1	t2	o1
type B	8	60	25 <sup>-0.005</sup> / <sub>-0.020</sub>	63.2	120	246.4	126.8	190	28	M8x20
type S	-	-	-	-	-	-	-	-	-	-